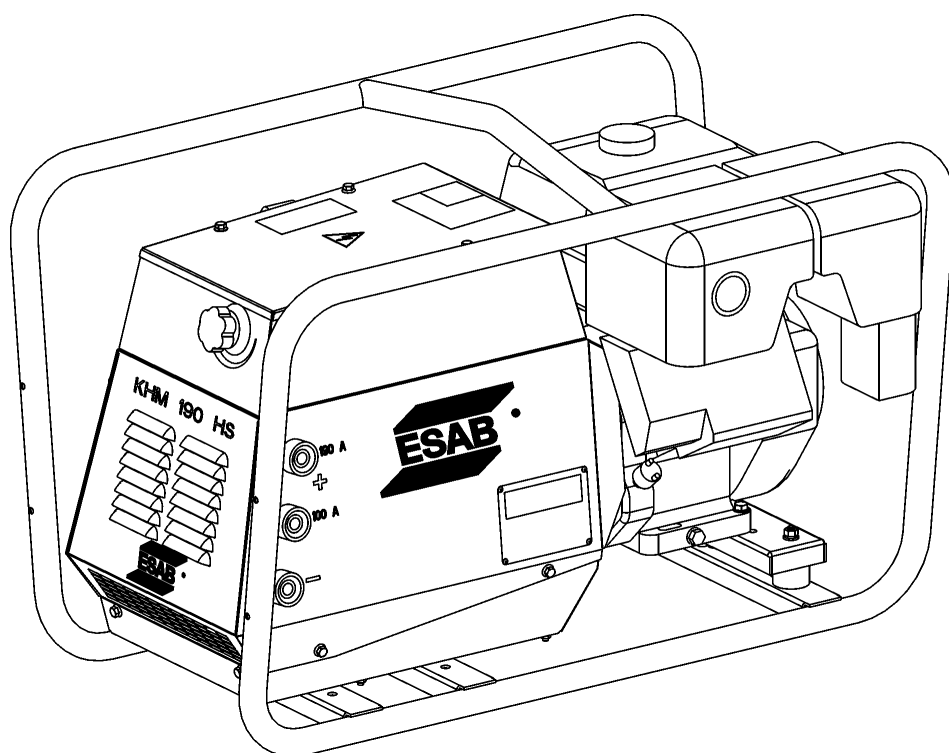


KHM 190 HS



Diagrams and spare parts list



DECLARATION OF CONFORMITY

ESAB Welding Equipment AB, S--695 81 Laxå, Sweden, gives its unreserved guarantee that the engine driven welder KHM 190 HS with the code number 0794000880/1/4 complies with the Community Directives and related modifications 98/37/CE - 73/23/CE - 89/336/CE and, in order to check the conformity, the following harmonized standards EN 292-1 - EN 292-2 - EN 60974-1 - EN 60204-1 - EN 50199 and other standards or directives like 84/535/CE - ISO 8528 have been consulted .

Laxå 2001

A handwritten signature in black ink, appearing to read "Joakim Cahlin".

Joakim Cahlin
ESAB Welding Equipment AB
695 81 LAXÅ
SWEDEN

Tel. + 46 58 481000

fax +46 584 411924

Dear Customer,

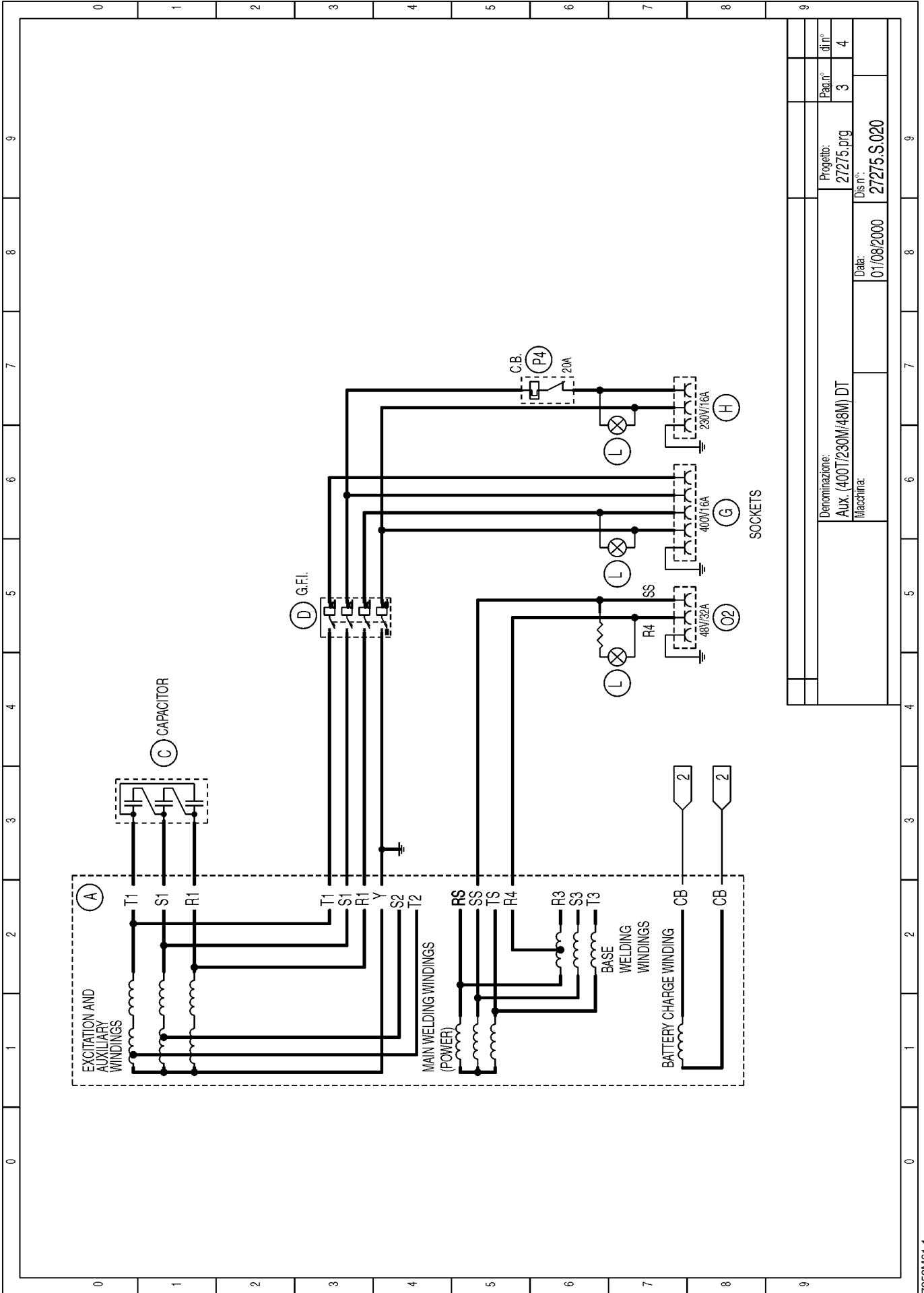
We wish to thank you for having bought this product.

Please take time to read this manual and familiarize yourself with the machine before attempting to use it.

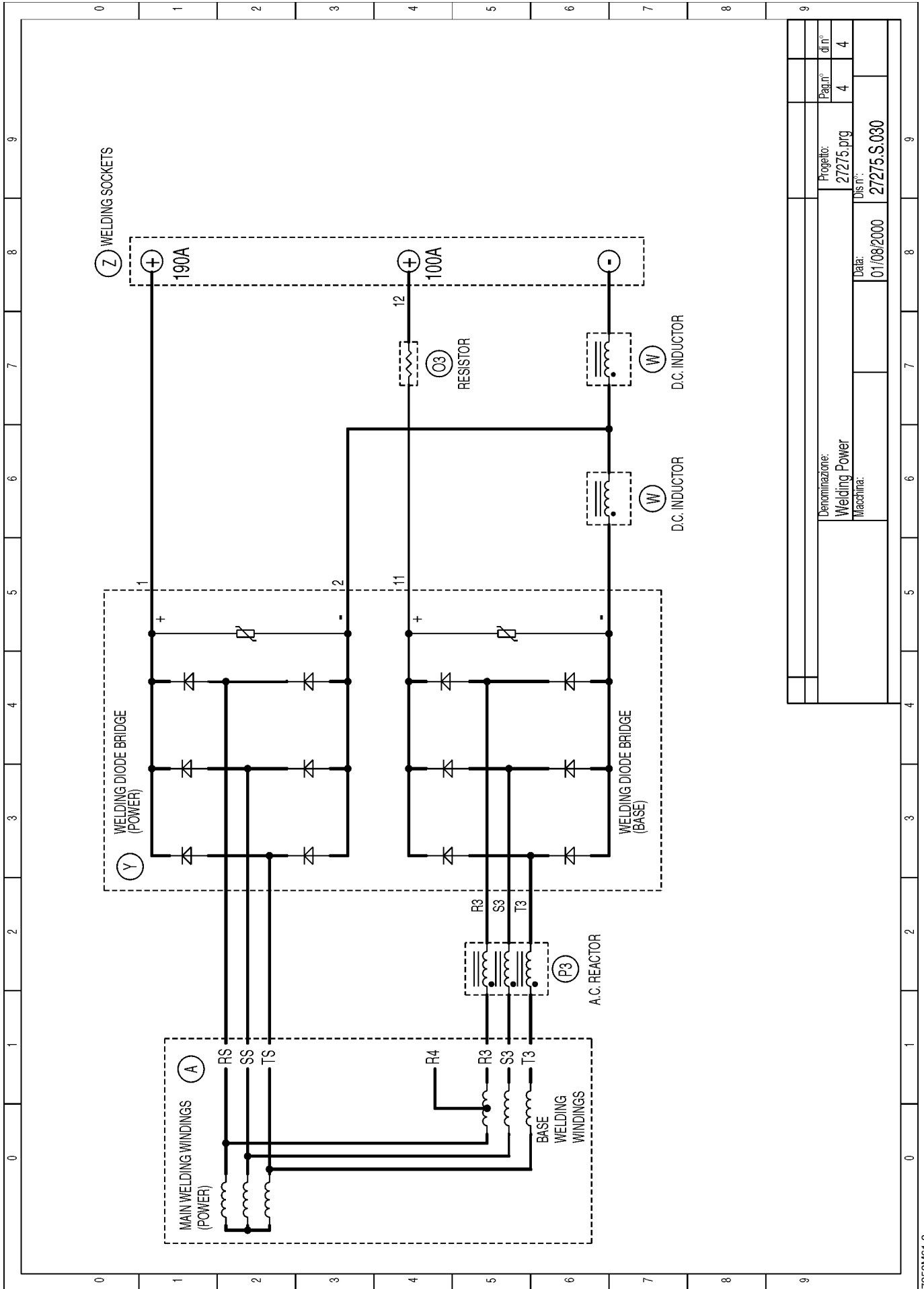
If you should have questions or problems please contact the nearest authorized Service Center. They have the experience and original spare parts. The use of non-original spare parts will void the warranty.

TABLE OF CONTENTS

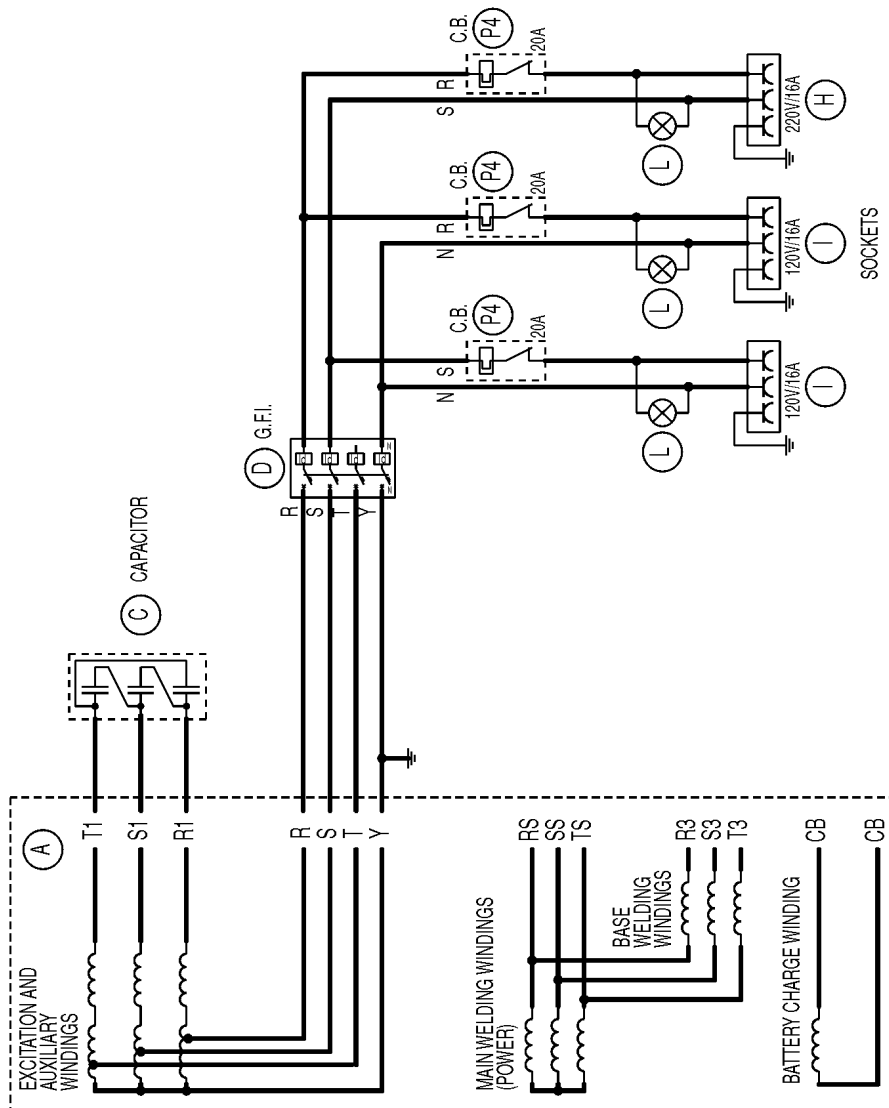
<u>DESCRIPTION</u>	<u>PAGE</u>
<u>GENERAL INFORMATION</u>	
INFORMATION ABOUT THIS MANUAL	M 2
DESCRIPTION - SYMBOLS	M 2.1
PRECAUTIONS - GENERAL	M 2.5
PRECAUTIONS - ENGINE DRIVEN WELDERS	M 2.5.1
TRANSPORT	M 4.1
ASSEMBLY OF TROLLEY	M 6
INSTALLATION INFORMATION	M 2.6.1, M 2.7
<u>OPERATION</u>	
UNPACKING	M 3
PREPARING THE UNIT	M 25
STARTING THE ENGINE	M 26
STOPPING THE ENGINE	M 27
CONTROLS	M 31
USE AS A WELDER	M 34
USE AS A GENERATOR	M 37
MAINTENANCE	M 43.1
STORAGE	M 45.1
TECHNICAL DATA AND MACHINE DESCRIPTION	M 51, 51.1
<u>SCHEMATICS AND SPARE PARTS</u>	
ORDERING SPARE PARTS	R 1,
WIRING DIAGRAM - AUXILIARY	M 61.1
WIRING DIAGRAM – WELDING POWER	M 61.2
WIRING DIAGRAM – AUXILIARY	M 61.3
WIRING DIAGRAM – AUXILIARY	M 61.4
WIRING DIAGRAM – WELDING POWER	M 61.5
DESCRIPTION - ELECTRICAL SYSTEM	M 60
SPARE PARTS	CG 4, CG 4.1,
SPARE PARTS	CG 5, CG 5.1,
SPARE PARTS	CG 6, CG6.1
KIT DECAL	
TROLLEY	KA 4



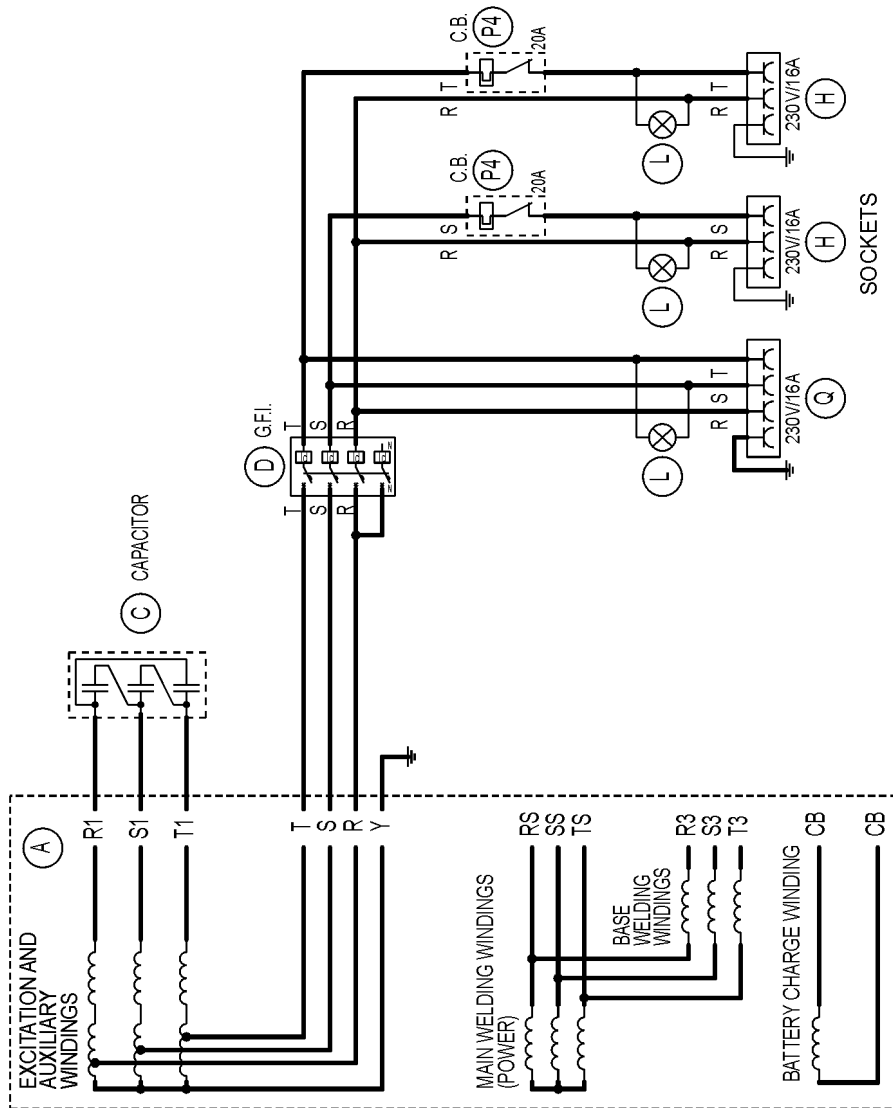
Denominazione: Aux. (400T/230M/48M) DT Macchina:	Progetto: 27275.prg Data: 01/08/2000 Dist. n.º: 27275.S.020
Pac. n.º: 3	di n.º: 4



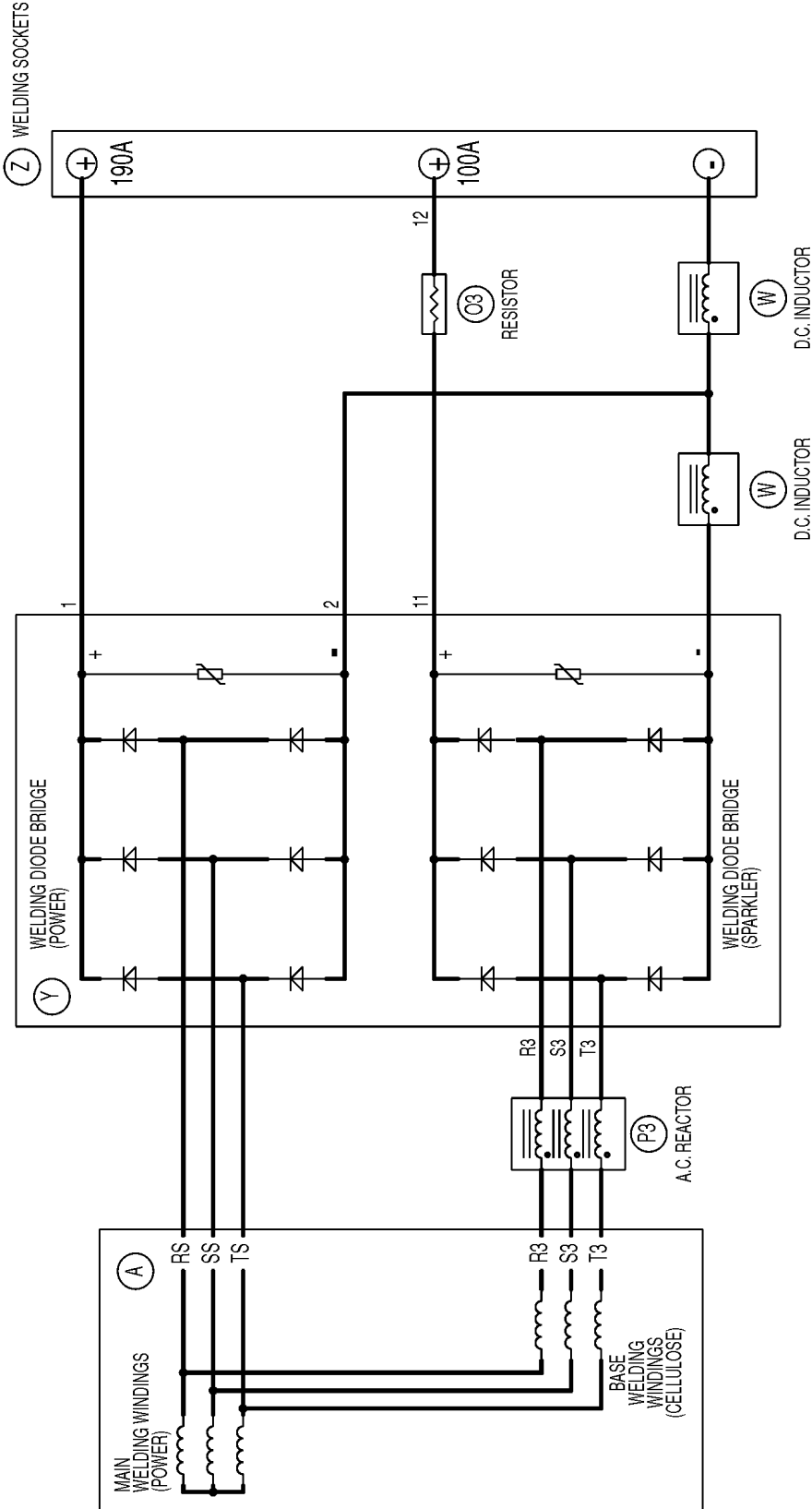
Denominazione: Welding Power		Progetto: 27275.prg	Pagina: 4	dim° 4
Macchina:		Data: 01/08/2000	Dis.n°: 27275.S.030	



Exp.		Modification		Date	Desi.	Appr.
		From Page	Denomination:	Project:	Page n°	of n°
		To Page	AUX. (220M/120MX2) DT	27262.prg	2	3
		Machine:		Date:	Approved:	
		KHM 190 HS/SYS 60HZ		08.05.2001	27262.S.020	



Exp.	Modification	Date	Desi.	Appr.
				Page n° of n°
	From Page	Denomination:	Project:	27263.pig
	To Page	AUX. (220T/220Mx2) DT	Date:	11.10.2001
	Machine:	KHM 190 HS 60Hz	Dwg. n°:	27263.S.020
			Approved:	



Exp.		Modification		Date	Desi.	Appr.
From Page	Denomination:	Project:	Date	Page n°	of n°	
To Page	Machine:	27262.prg	27/05/2001	3	3	
		Dwg. n°:	Date:	Approved:		
		27262.S.030	08.05.2001			



GB

KHM 190 HS DESCRIPTION - ELECTRICAL SYSTEM

M
60

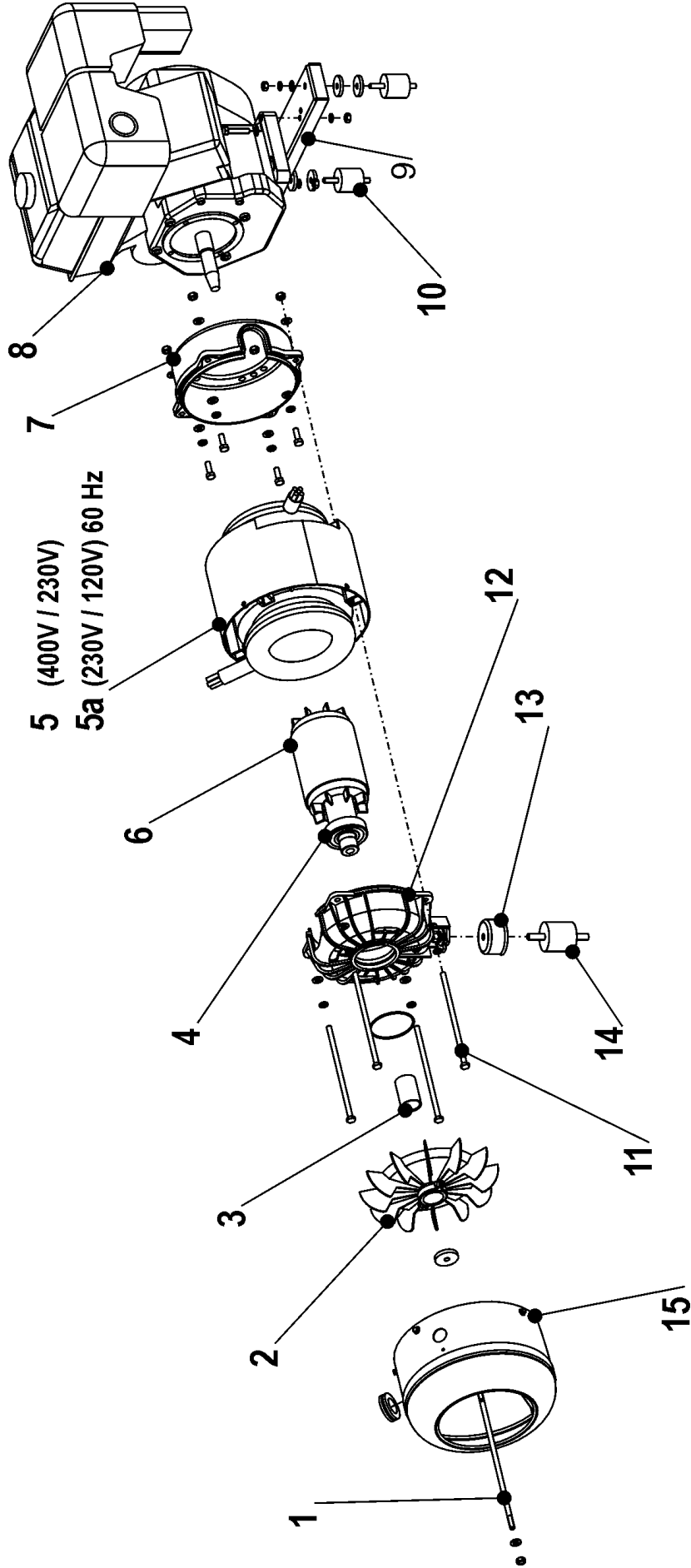
A : Alternator
C : Capacitor
D : G.F.I. (ground fault interrupter)
G : 400V EEC 3-phase socket
H : 230V EEC (220V) 1-phase socket
I : 120V EEC 1-phase socket
L : Socket warning light
Q : 230V EEC (220V) 3-phase socket
Z : Welding sockets
W : D.C. inductor
Y : Welding diode bridge

O2: 48V EEC. socket

O3: Resistor

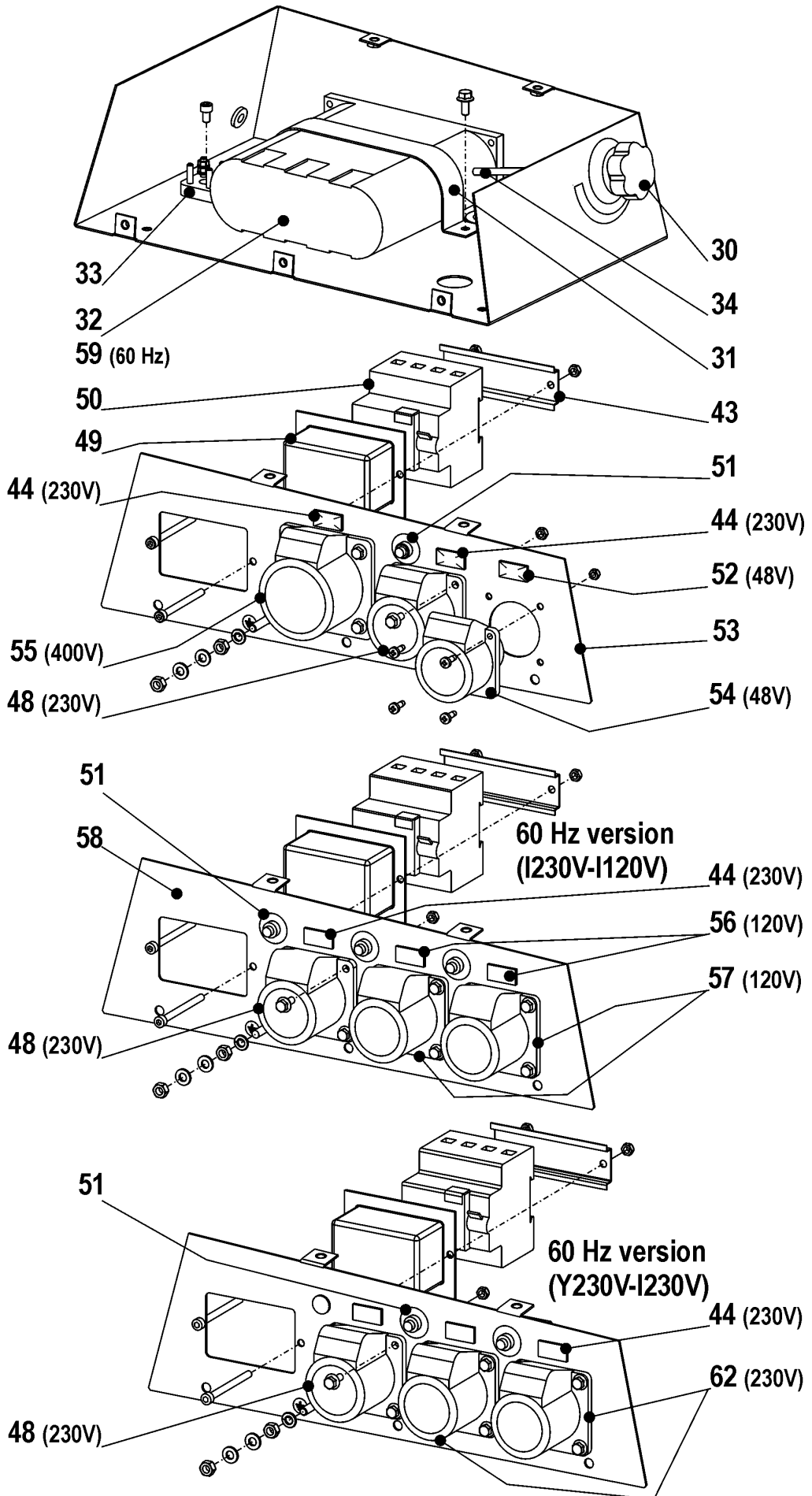
P3: A.C. Reactor

P4: Circuit breaker



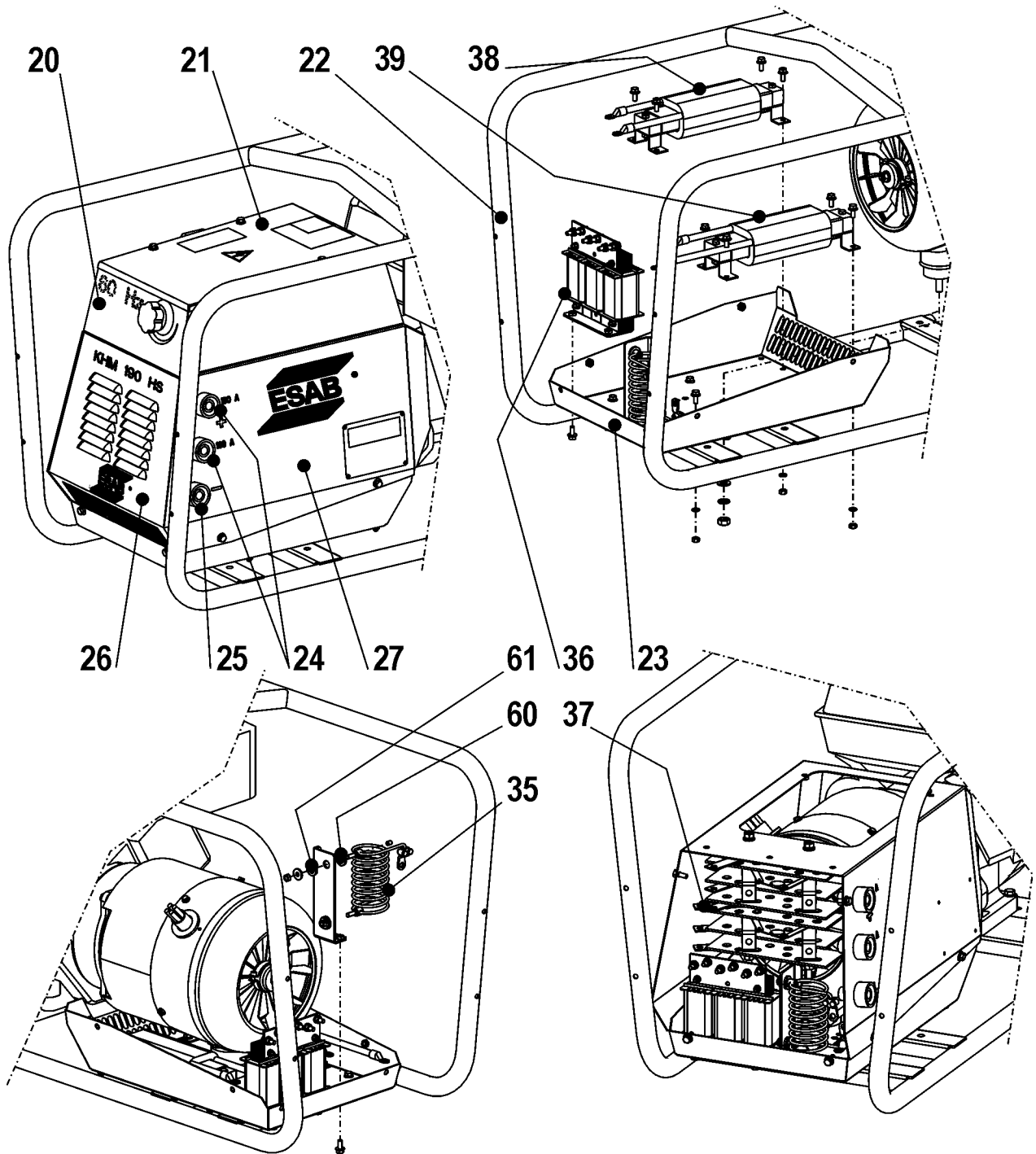
CG 4					
Item no.	Q.ty	Ordering no.	Denomination	NOTES	C
1	1	0794000000	TIE-ROD		
2	1	0794000001	FAN WITH CLAMP		
3	1	0794000002	SPACER		
4	1	0794000003	BEARING		
5	1	0794000004	STATOR	50 Hz	A
5a	1	0794000305	STATOR	60 Hz	A
6	1	0794000005	SHAFT WITH ROTOR		
7	1	0794000006	FLANGE FIXING ENGINE		
8	1		HONDA ENGINE GX 390 VXB		
9	1	0794000008	ENGINE SUPPORT BRACKET		
10	2	0794000009	VIBRATION DAMPER		
11	4	0794000010	TIE-ROD		
12	1	0794000011	FLANGE, ALTERNATOR HOLDER		
13	1	0794000012	VIBRATION DAMPER PROTECTION		
14	1	0794000013	VIBRATION DAMPER		
15	1	0794000014	AIR DUCT		

C = component designation in the electrical system



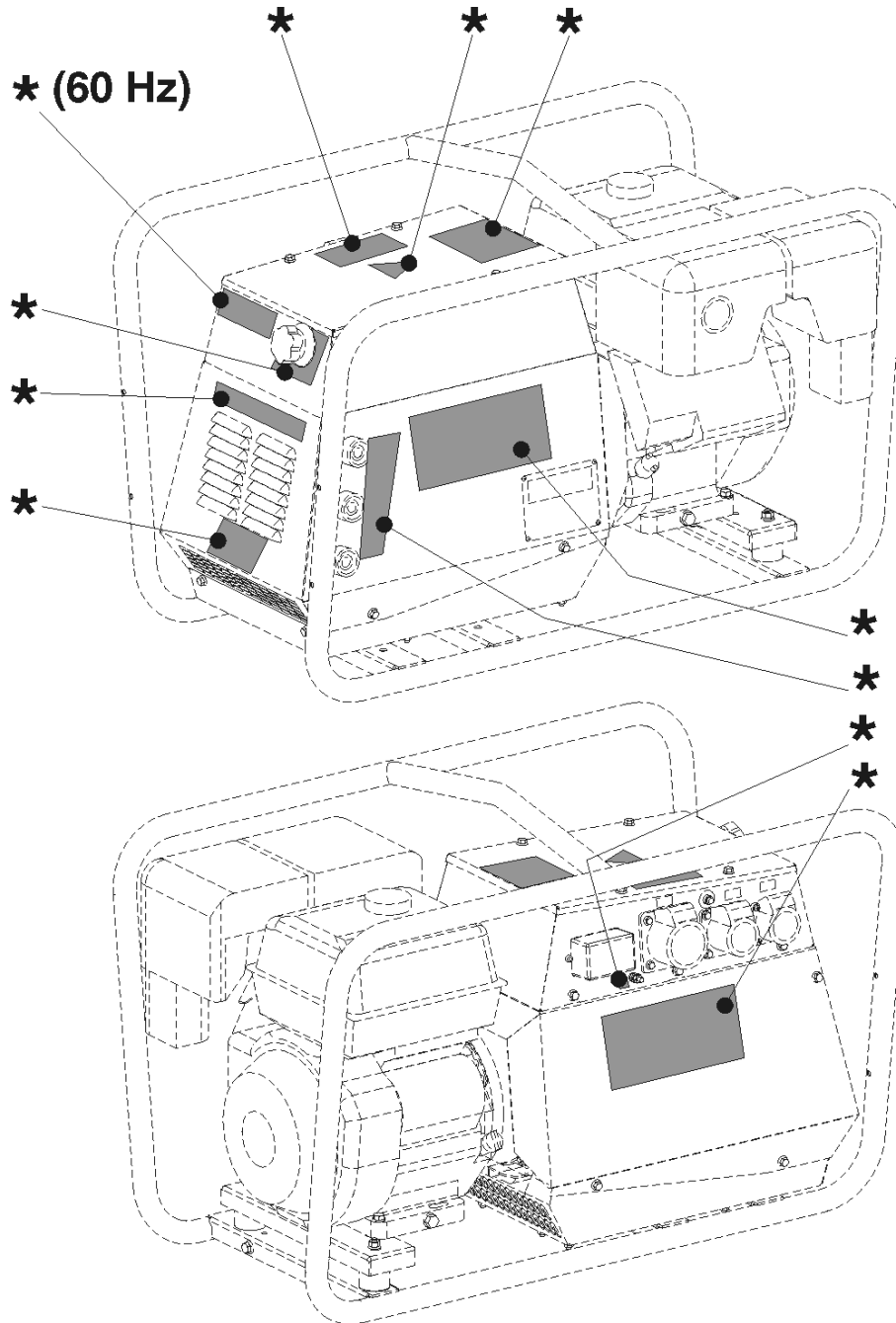
CG 5					
Item no.	Q.ty	Ordering no.	Denomination	NOTES	C
30	1	0794000023	KNOB		
31	1	0794000024	BRACKET		
32	1	0794000025	CAPACITORS BOX	3x80 μ F	C
33	1	0794000026	TERMINAL BOARD		
34	1	0794000027	THROTTLE CABLE		
43		0794000047	BRACKET	Order q.ty in meter	
44	2	0794000033	WARNING LIGHT	230V	L
48	1	0794000034	EEC SOCKET SINGLE-PHASE	16A, 230V 2P+T	H
49	1	0794000035	CAP		
50	1	0794000036	GROUND FAULT INTERRUPTOR (GFI)		D
51	1	0794000037	CIRCUIT BREAKER	20A/250V	P4
52	1	0794000038	WARNING LIGHT	48V	L
53	1	0794000039	FRONT PANEL		
54	1	0794000040	EEC SOCKET SINGLE-PHASE	32A, 48V 2P+T	O2
55	1	0794000041	EEC SOCKET THREE-PHASE	16A, 400V 3P+N+T	G
56	2	0794000306	WARNING LIGHT	120V	L
57	2	0794000307	EEC SOCKET SINGLE-PHASE	16A, 120V 2P+T	I
58	1	0794000308	FRONT PANEL	60Hz version	
59	1	0794000213	CAPACITORS BOX	3x70 μ F	C
62	2	0794000314	EEC SOCKET THREE-PHASE	16A, 230V 3P+N+T	Q

C = component designation in the electrical system

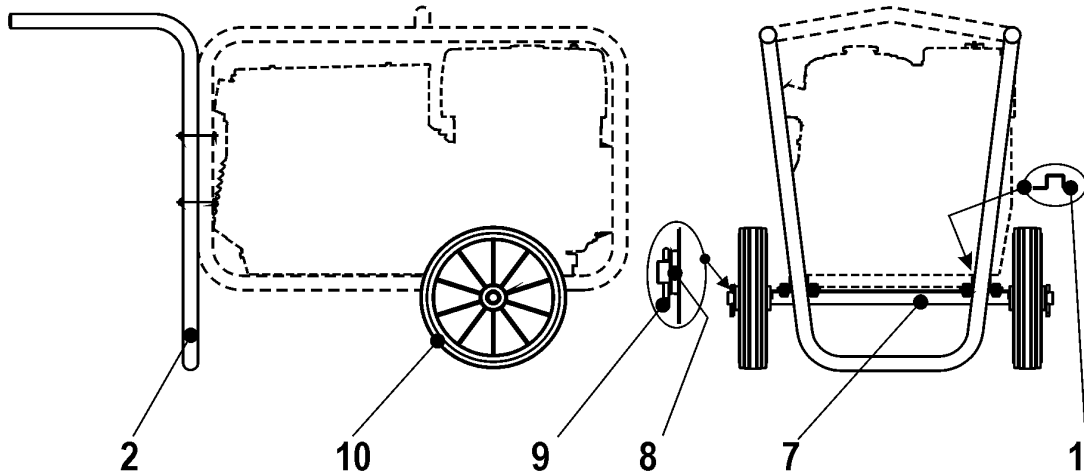


CG 6					
Item no.	Q.ty	Ordering no.	Denomination	NOTES	C
20	1	0794000015	ELECTRICAL BOX		
21	1	0794000016	ELECTRICAL BOX COVER		
22	1	0794000017	FRAME		
23	1	0794000018	CASE, BOTTOM HALF		
24	2	0794000019	WELDING SOCKET (+)		Z
25	1	0794000020	WELDING SOCKET (-)		Z
26	1	0794000021	FRONT GRILL		
27	1	0794000022	COMPLETE COVER		
35	1	0794000028	RESISTOR		O3
36	1	0794000029	A.C. REACTOR		P3
37	1	0794000030	DIODE BRIDGE		Y
38	1	0794000031	D.C. INDUCTOR		W
39	1	0794000032	D.C. INDUCTOR		W
60	2	0794000042	WASHER		
61	2	0794000043	BUSH		

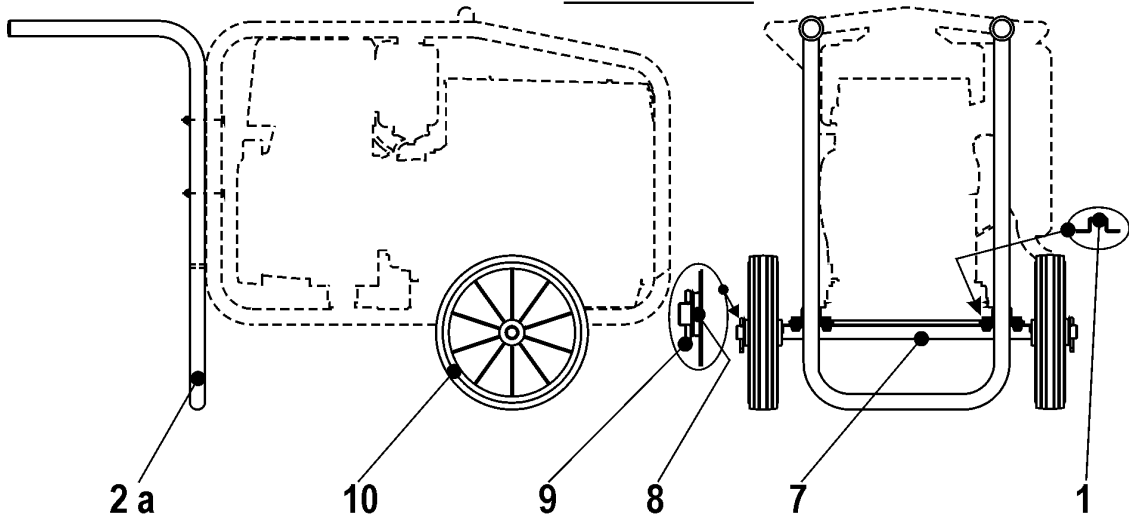
C = component designation in the electrical system



KHM 190 HS



KHM 190 YS



KA4					
Item no.	Q.ty	Ordering no.	Denomination	NOTES	C
1	1	0794000283	U-BOLT		
2	1	0794000289	HANDLE		
2a	1	0794000284	HANDLE		
7	1	0794000285	AXLE		
8	1	0794000286	WASHER		
9	1	0794000287	PIN, SPLIT		
10	1	0794000288	WHEEL		

C = component designation in the electrical system

ESAB subsidiaries and representative offices

Europe

AUSTRIA

ESAB Ges.m.b.H
Vienna-Liesing
Tel: +43 1 888 25 11
Fax: +43 1 888 25 11 85

BELGIUM

S.A. ESAB N.V.
Brussels
Tel: +32 2 745 11 00
Fax: +32 2 726 80 05

THE CZECH REPUBLIC

ESAB VAMBERK s.r.o.
Prague
Tel: +420 2 819 40 885
Fax: +420 2 819 40 120

DENMARK

Aktieselskabet ESAB
Copenhagen-Valby
Tel: +45 36 30 01 11
Fax: +45 36 30 40 03

FINLAND

ESAB Oy
Helsinki
Tel: +358 9 547 761
Fax: +358 9 547 77 71

FRANCE

ESAB France S.A.
Cergy Pontoise
Tel: +33 1 30 75 55 00
Fax: +33 1 30 75 55 24

GERMANY

ESAB GmbH
Solingen
Tel: +49 212 298 0
Fax: +49 212 298 204

GREAT BRITAIN

ESAB Group (UK) Ltd
Waltham Cross
Tel: +44 1992 76 85 15
Fax: +44 1992 71 58 03

ESAB Automation Ltd

Andover
Tel: +44 1264 33 22 33
Fax: +44 1264 33 20 74

HUNGARY

ESAB Kft
Budapest
Tel: +36 1 20 44 182
Fax: +36 1 20 44 186

ITALY

ESAB Saldatura S.p.A.
Mesero (Mi)
Tel: +39 02 97 96 81
Fax: +39 02 97 28 91 81

THE NETHERLANDS

ESAB Nederland B.V.
Utrecht
Tel: +31 30 248 59 22
Fax: +31 30 248 52 60

NORWAY

AS ESAB
Larvik
Tel: +47 33 12 10 00
Fax: +47 33 11 52 03

POLAND

ESAB Sp.z.o.o
Warszaw
Tel: +48 22 813 99 63
Fax: +48 22 813 98 81

PORTUGAL

ESAB Lda
Lisbon
Tel: +351 1 837 1527
Fax: +351 1 859 1277

SLOVAKIA

ESAB Slovakia s.r.o.
Bratislava
Tel: +421 7 44 88 24 26
Fax: +421 7 44 88 87 41

SPAIN

ESAB Ibérica S.A.
Alcobendas (Madrid)
Tel: +34 91 623 11 00
Fax: +34 91 661 51 83

SWEDEN

ESAB Sverige AB
Gothenburg
Tel: +46 31 50 95 00
Fax: +46 31 50 92 22

ESAB International AB
Gothenburg
Tel: +46 31 50 90 00
Fax: +46 31 50 93 60

SWITZERLAND

ESAB AG
Dietikon
Tel: +41 1 741 25 25
Fax: +41 1 740 30 55

North and South America

ARGENTINA

CONARCO
Buenos Aires
Tel: +54 11 4 753 4039
Fax: +54 11 4 753 6313

BRAZIL

ESAB S.A.
Contagem-MG
Tel: +55 31 333 43 33
Fax: +55 31 361 31 51

CANADA

ESAB Group Canada Inc.
Mississauga, Ontario
Tel: +1 905 670 02 20
Fax: +1 905 670 48 79

MEXICO

ESAB Mexico S.A.
Monterrey
Tel: +52 8 350 5959
Fax: +52 8 350 7554

USA

ESAB Welding & Cutting Products
Florence, SC
Tel: +1 843 669 44 11
Fax: +1 843 664 44 58

Asia/Pacific

AUSTRALIA

ESAB Australia Pty Ltd
Ermington
Tel: +61 2 9647 1232
Fax: +61 2 9748 1685

CHINA

Shanghai ESAB A/P
Shanghai
Tel: +86 21 6539 7124
Fax: +86 21 6543 6622

INDIA

ESAB India Ltd
Calcutta
Tel: +91 33 478 45 17
Fax: +91 33 468 18 80

INDONESIA

P.T. Esabindo Pratama
Jakarta
Tel: +62 21 460 01 88
Fax: +62 21 461 29 29

MALAYSIA

ESAB (Malaysia) Snd Bhd
Selangor
Tel: +60 3 703 36 15
Fax: +60 3 703 35 52

SINGAPORE

ESAB Singapore Pte Ltd
Singapore
Tel: +65 861 43 22
Fax: +65 861 31 95

ESAB Asia/Pacific Pte Ltd

Singapore
Tel: +65 861 74 42
Fax: +65 863 08 39

SOUTH KOREA

ESAB SeAH Corporation
Kyung-Nam
Tel: +82 551 289 81 11
Fax: +82 551 289 88 63

UNITED ARAB EMIRATES

ESAB Middle East
Dubai
Tel: +971 4 338 88 29
Fax: +971 4 338 87 29

Representative offices

BULGARIA

ESAB Representative Office
Sofia
Tel/Fax: +359 2 974 42 88

EGYPT

ESAB Egypt
Dokki-Cairo
Tel: +20 2 390 96 69
Fax: +20 2 393 32 13

ROMANIA

ESAB Representative Office
Bucharest
Tel/Fax: +40 1 322 36 74

RUSSIA-CIS

ESAB Representative Office
Moscow
Tel: +7 095 937 98 20
Fax: +7 095 937 95 80

ESAB Representative Office

St Petersburg
Tel: +7 812 325 43 62
Fax: +7 812 325 66 85

Distributors

For addresses and phone numbers to our distributors in other countries, please visit our home page

www.esab.com



ESAB AB
SE-695 81 LAXÅ
SWEDEN
Phone +46 584 81 000
Fax +46 584 123 08

www.esab.com

